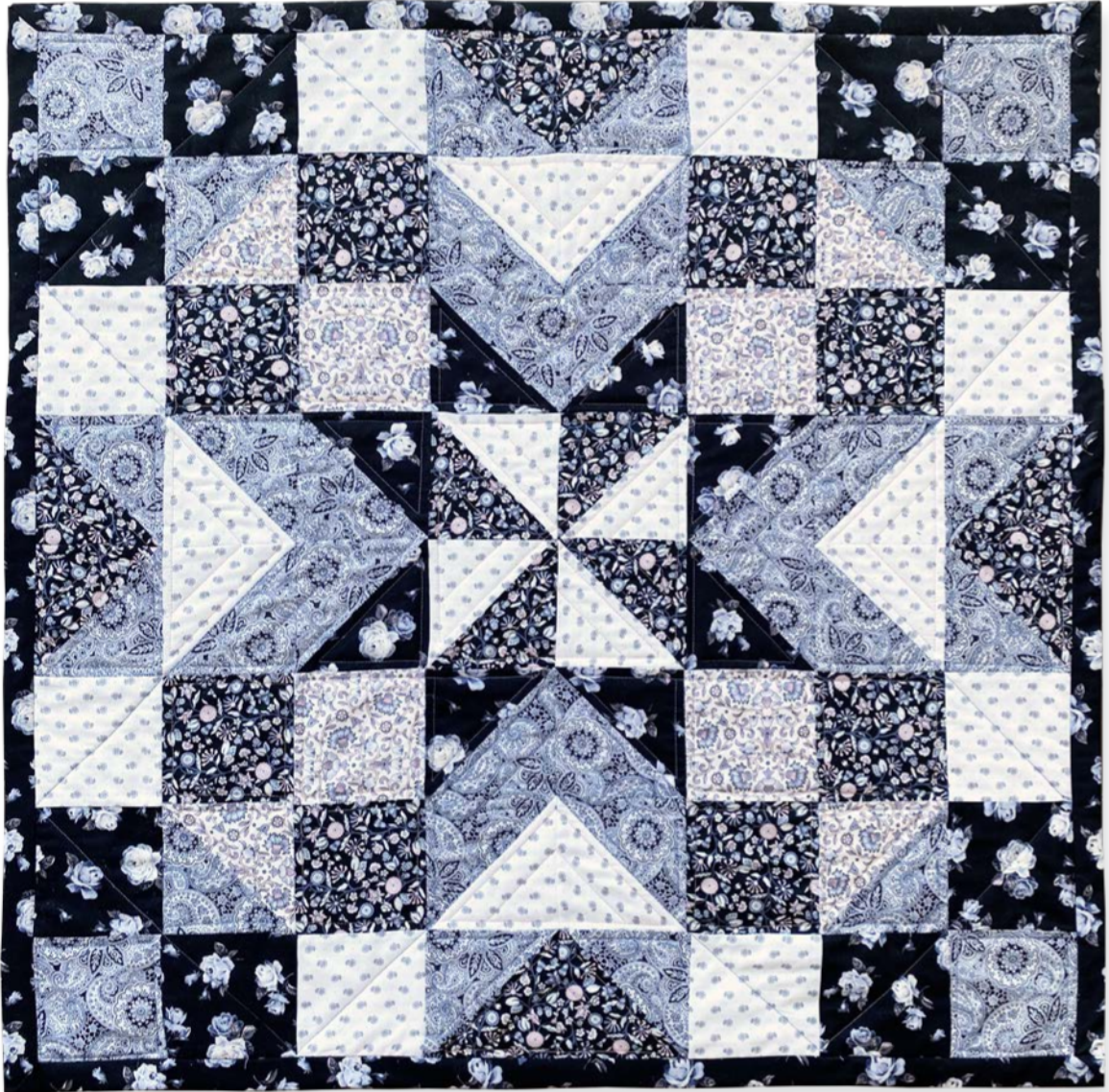


---

**BIRCH**  
CREATIVE



**MERCHANT'S TREE WALL HANGING  
LIBERTY.**  
FABRICS

---



# MERCHANT'S TREE WALL HANGING

QUILT SIZE: 37" x 37"

**MATERIALS:**

- LIBERTY Fabrics - The Emporium Collection

**A** REGENT ROSE-5905C - 0.55mtr  
 Cut 1 x 5" strips, crosscut strip into 8 x 5" squares.  
 Cut 1 x 5 7/8" strip, crosscut into 4 x 5 7/8" squares.  
 Cut 4 strips 2 1/2" x WOF for binding



**B** CULODDEN VINE-5910C - 0.2mtr  
 Cut 4 x 5" squares and cut 2 x 5 7/8" squares.



**C** MERCHANT'S TREE-5911D - 0.3mtr  
 Cut 1 x 5" strips, crosscut strip into 8 x 5" squares.  
 Cut 1 x 5 7/8" strip, crosscut into 6 x 5 7/8" squares.



**D** PAISLEY MEADOW-5913B - 0.45mtr  
 Cut 1 x 5" strips, crosscut strip into 4 x 5" squares.  
 Cut 2 x 5 7/8" strip, crosscut into 14 x 5 7/8" squares.



**E** KINGLY SPRIG-5904C - 0.3mtr  
 Cut 1 x 5" strips, crosscut strip into 8 x 5" squares.  
 Cut 1 x 5 7/8" strip, crosscut into 6 x 5 7/8" squares.



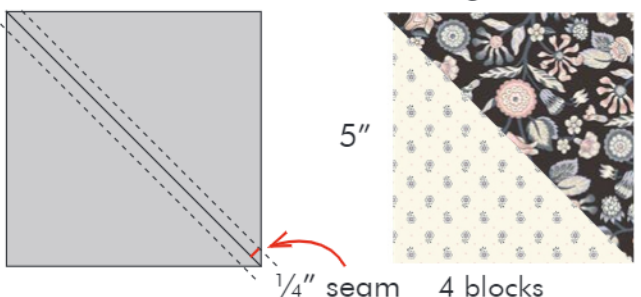
- backing fabric - 1 mtr
- batting

The size of the quilt can be adjusted easily by increasing number of blocks or changing size of the blocks.



**HALF SQUARE TRIANGLE BLOCK**

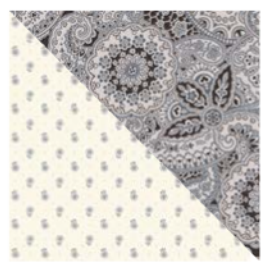
Take 2 squares x 5 7/8" from fabric E and two squares from fabric C.  
 Draw diagonal line from corner to corner on the wrong side of each square from fabric E.  
 Position the two squares together with right sides facing, lining up the edges.  
 Use your sewing machine to sew a 1/4" seam on either side of the line.  
 Cut along the line. Gently press the seam open and trim the newly-sewn square to 5" square shape. Total 4 blocks in this fabric combination.  
 Repeat for other fabric blocks.





# MERCHANT'S TREE WALL HANGING

To make quilt as illustrated you will need to make following combinations:



8 blocks



8 blocks



8 blocks

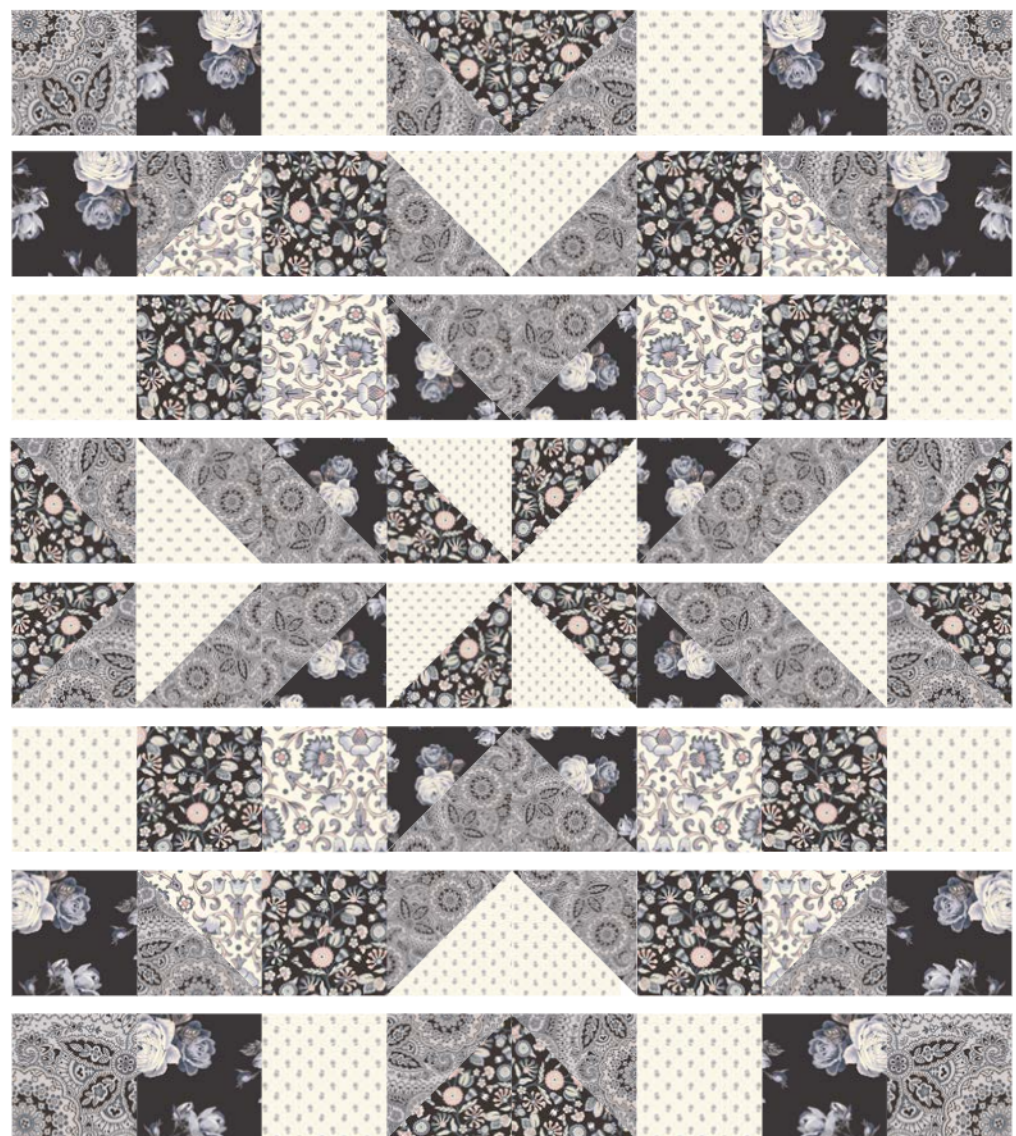


4 blocks



4 blocks

Refer to illustration and lay your blocks in 8 rows. Sew blocks in each horizontal row together. Press seam allowances. Sew rows together, taking care to align the seams



# BIRCH

CREATIVE

## MERCHANT'S TREE WALL HANGING

### QUILT ASSEMBLY

Cut backing fabric to the size of quilt top plus 3" allowance for wider binding.

Place backing fabric on a large surface wrong side up. Stretch it with masking tape against that surface. Place batting on top of backing fabric. Place top of the quilt on top of the batting with right side facing up. Smooth away wrinkles using your hands.

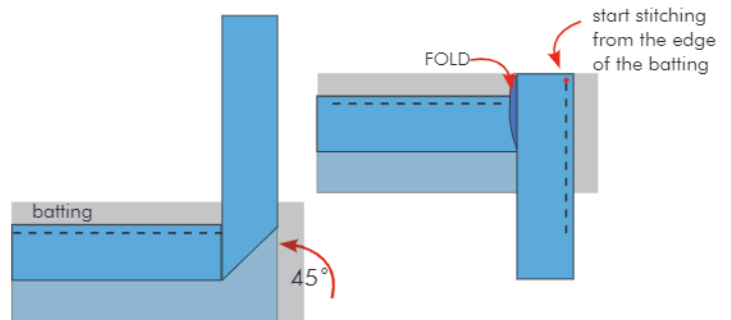
Pin all layers together. Machine or hand quilt starting at the center and working towards the corners.

After you finished, trim excess of any fabric or batting leaving 3/4" allowance for wider binding.

For wall hanging cut two 9" squares and press them into triangles. Line them up with two top corners of the quilt. Pin in place. They will be stitched in place while you are attaching the binding.



Clip the threads. Remove the quilt from under the machine foot. Fold the strip in a motion of 45° and upward, pressing with your fingers. Hold this fold with you finger, and bring the strip down in line with the next edge, making a horizontal fold that aligns with the top edge of the batting. Start sewing again with a 1/4" seam allowance.



Stop stitching before you reach the last 3 - 4". Lay the loose ends of the binding flat along the edge, folding the ends back on themselves where they meet. Press them together to form a crease. Sew the two open ends of the binding with right sides together. Trim seam to 1/2" and press open. Complete the sewing.

Turn binding to back of the quilt and hand stitch it down using a matching thread.

© BIRCH CREATIVE, 2020. For personal use only. Pattern not for resale. Items made using this pattern must not be resold.



### BINDING

Join 2 3/4" binding strips together end to end using 45° seams. Press seams open. Start sewing the binding strip in the middle of one of the sides, placing the strip on the top of the quilt matching raw edges.

Leave a 4" - 6" tail and begin sewing the binding to the quilt top using a 1/4" seam.

Stop stitching 1/2" before the edge of the quilt.

stop stitching 1/2" from the edge of quilt top

